

304 Stainless Steel

Part No. 90302ZAH

Metal Bracket

for Inxpect SRE 200 Series

Environmental Use:

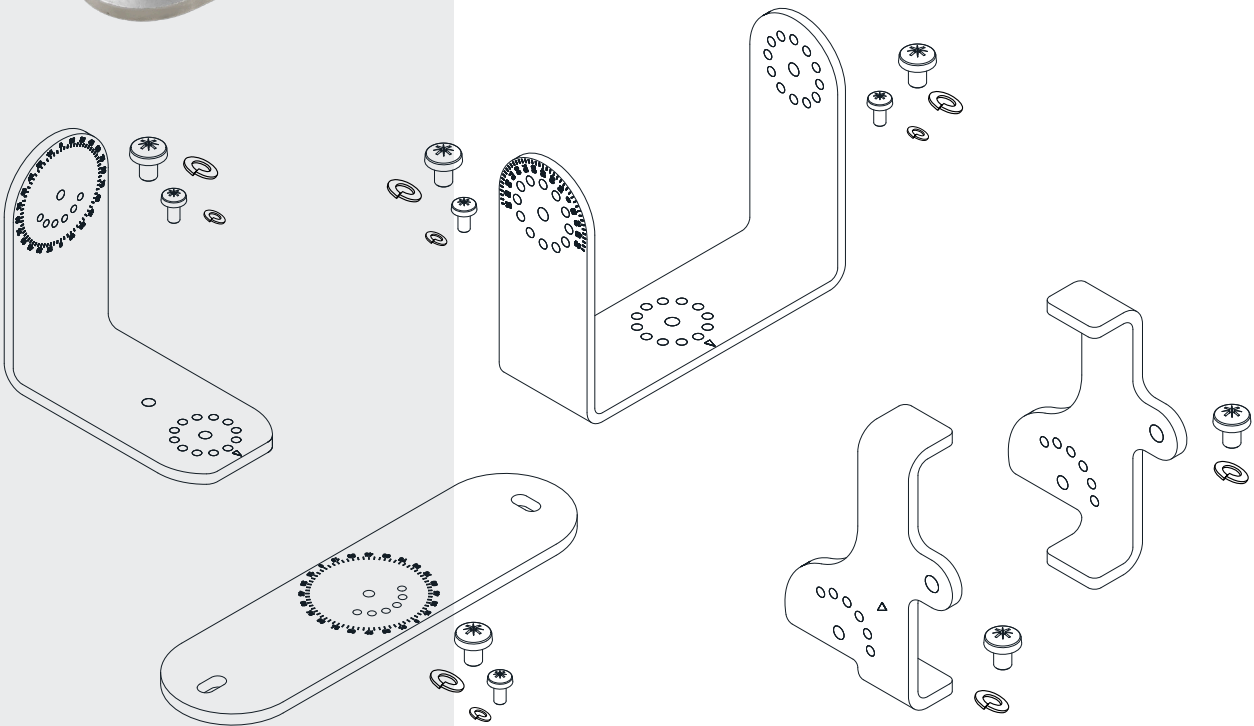
The Metal Bracket is designed to be used instead of the original plastic bracket of the 200 Series sensors, making it suitable for use in harsh indoor and outdoor environments.

Sensor replacement:

It allows the sensor to be substituted without affecting the pre-defined inclination angle, preventing incorrect settings and speeding up the replacement.

Material and Weight:

The Metal Bracket is manufactured from AISI 304 stainless steel and weighs 473 g (1.04 lbs) for 2-axis version and 674 g (1.48 lbs) for 3-axis version.



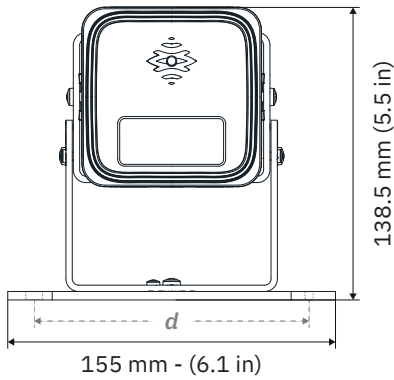
Metal Bracket

for Inxpect SRE 200 Series



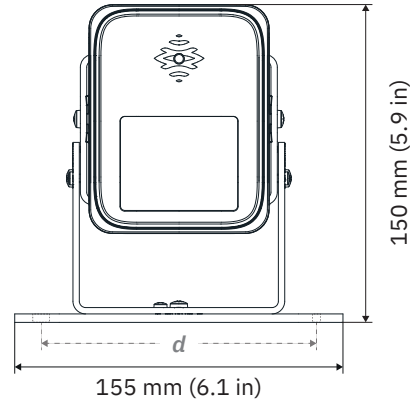
with Inxpect S201A

Front view



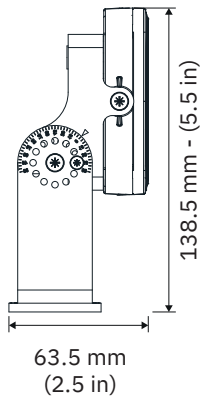
with Inxpect S202A/S203A

Front view



d (center-to-center distance) = 130 mm (5.1 in)
slotted hole \varnothing = 5.2 mm (0.20 in)

Side views



Side views

