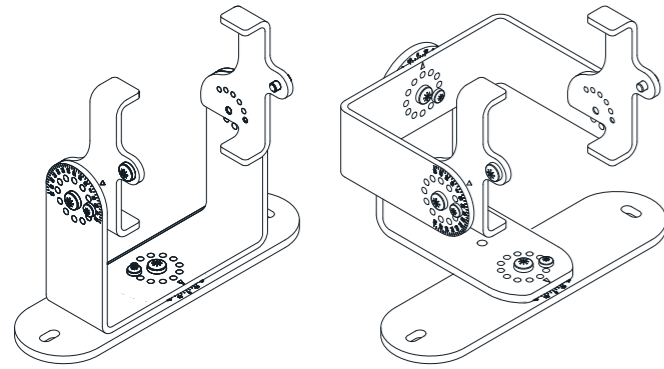




Metal Bracket for Inxpect SRE 200 Series



Part No. 90302ZAH

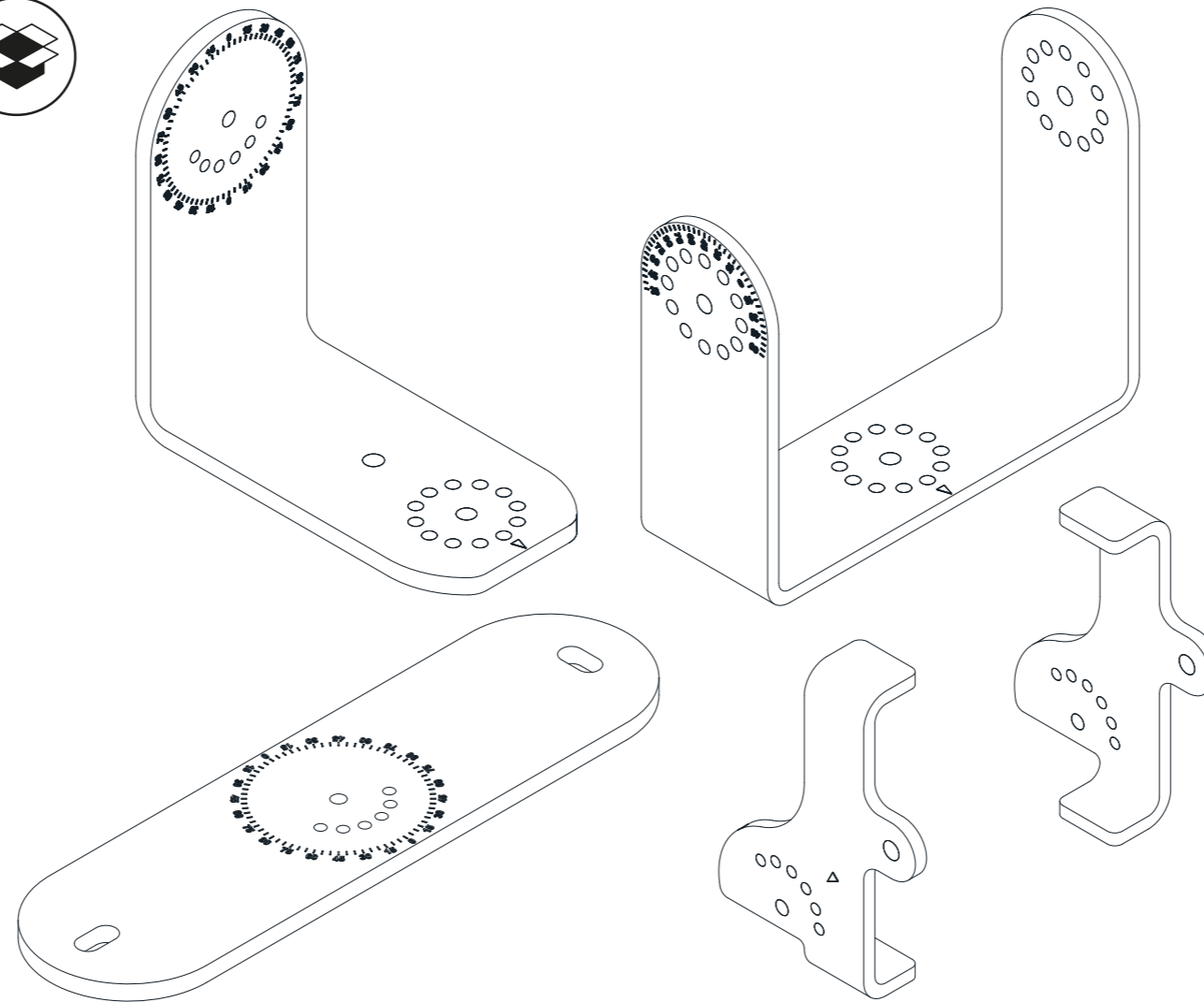


Made in Italy.
Engineered and manufactured in Italy by

Inxpect SpA
Via Serpente, 91
25131 Brescia (BS) Italy



www.inxpect.com



M4X8 qt.4



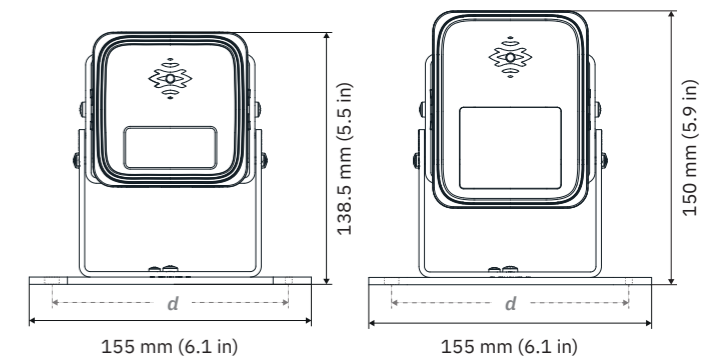
M3X8 qt.4



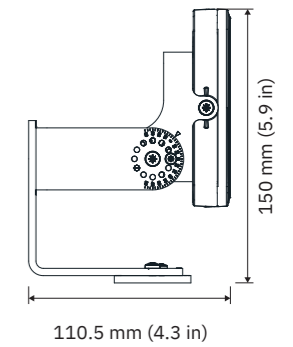
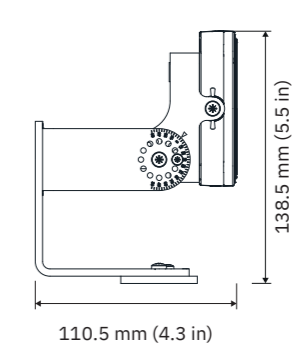
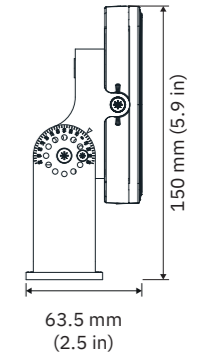
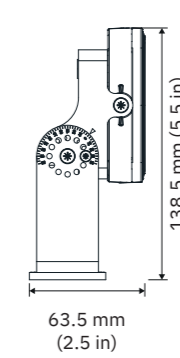
DIN7980 (M4) qt.6



DIN7980 (M3) qt.4



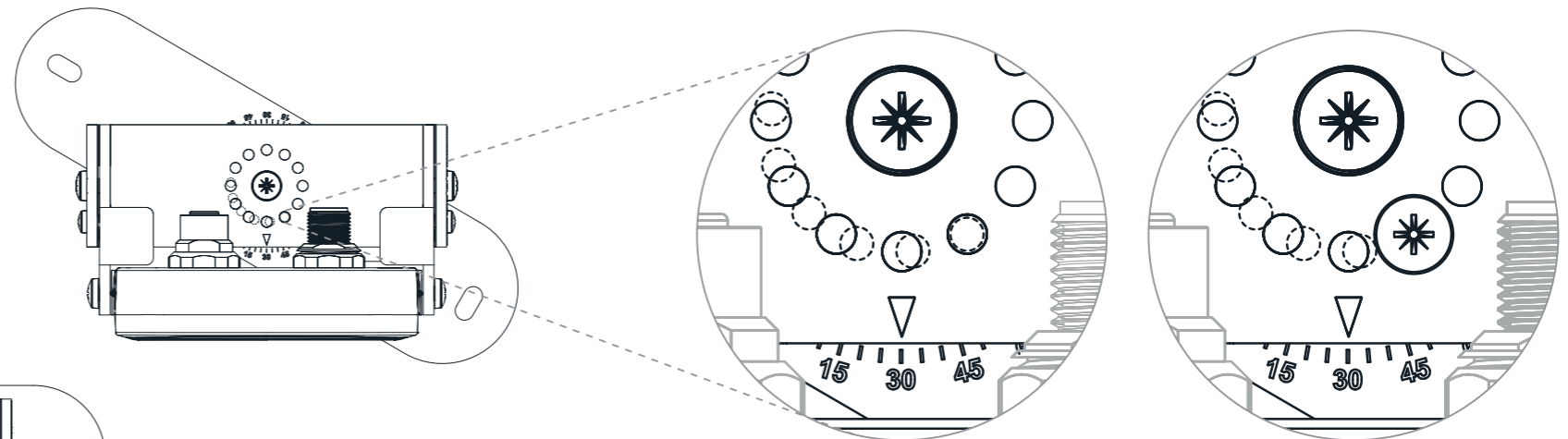
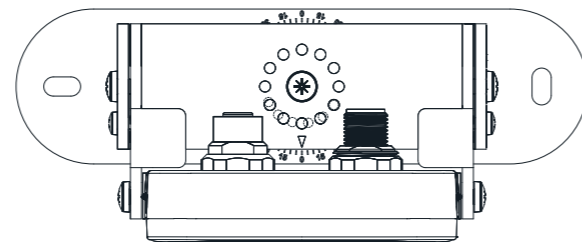
d (center-to-center distance) = 130 mm (5.1 in)
slotted hole \varnothing = 5.2 mm (0.20 in)



2

The angle can be adjusted on each axis.

First, tighten the central screw (M4x8) finger-tight. Then rotate the axis to the desired angle.



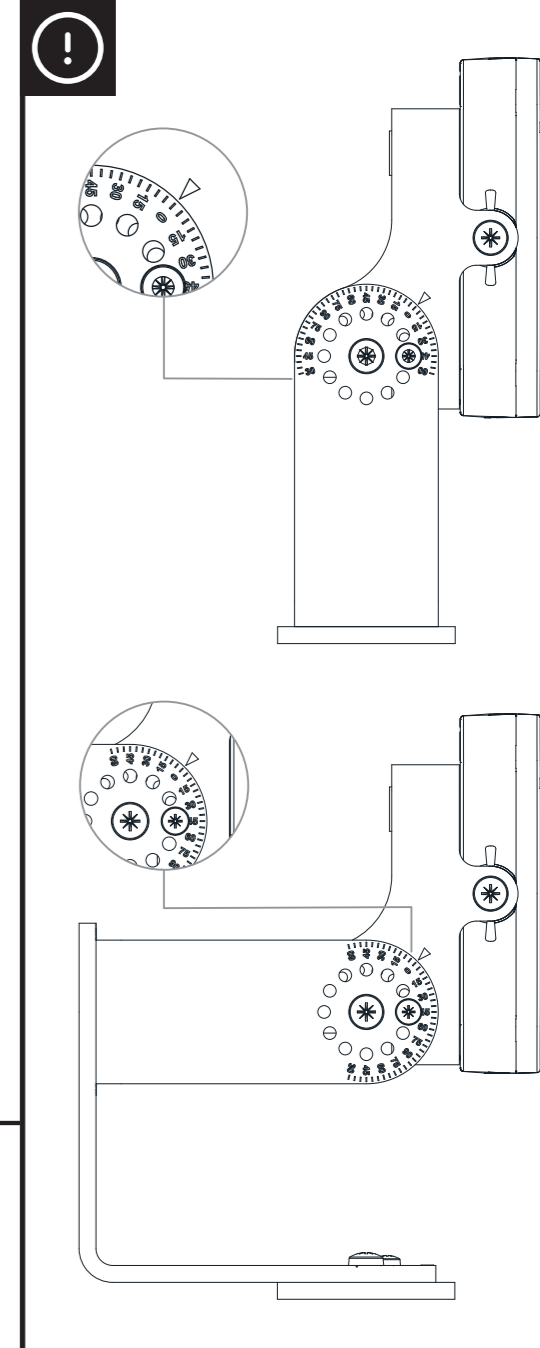
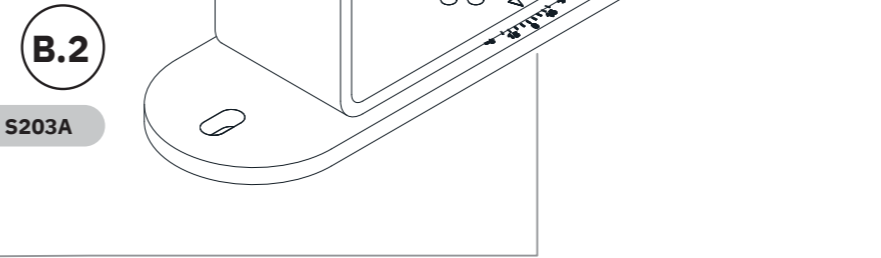
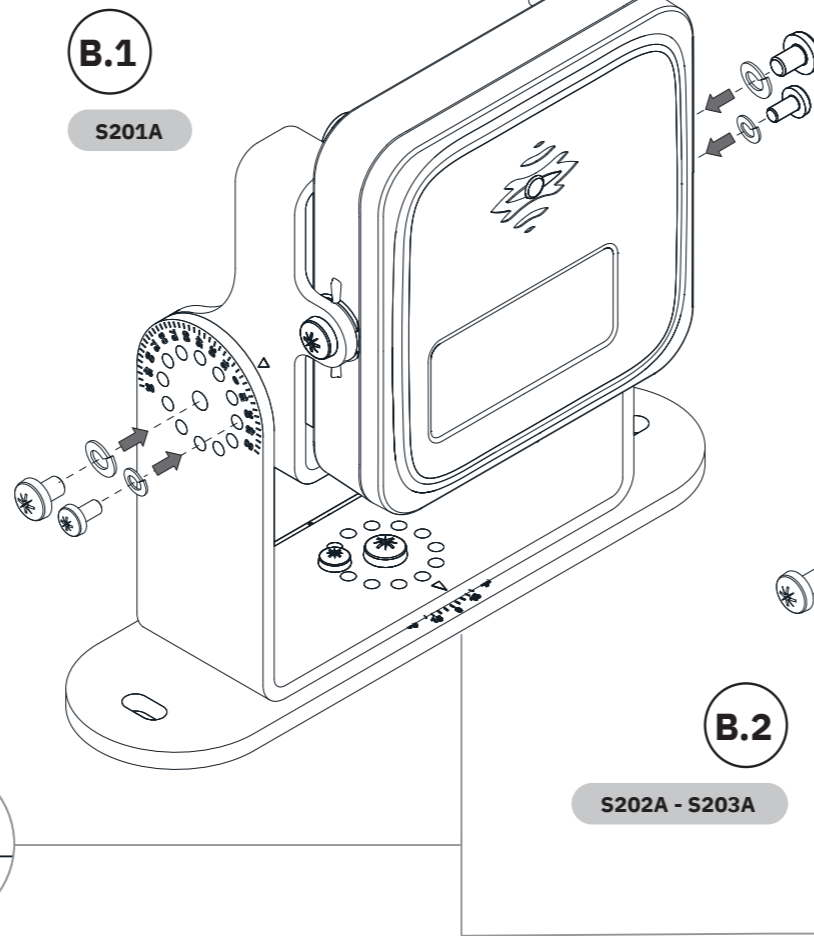
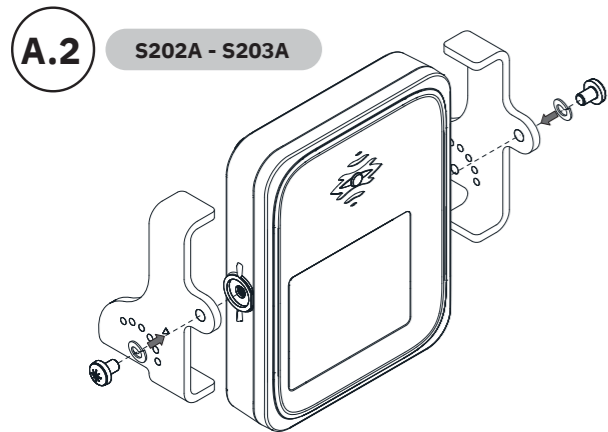
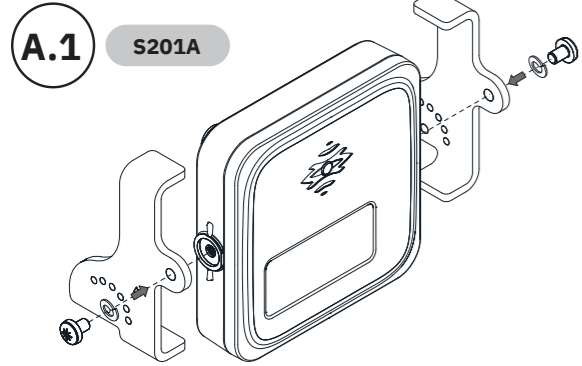
Once the angle is set, secure the position with the small screw (M3x8). Each degree corresponds to a dedicated hole to ensure accurate angle positioning.



Do not exceed a tightening torque of 1.4 Nm for M4x8 screws and 0.7 Nm for M3x8 screws.



2-axis metal bracket



3-axis metal bracket

