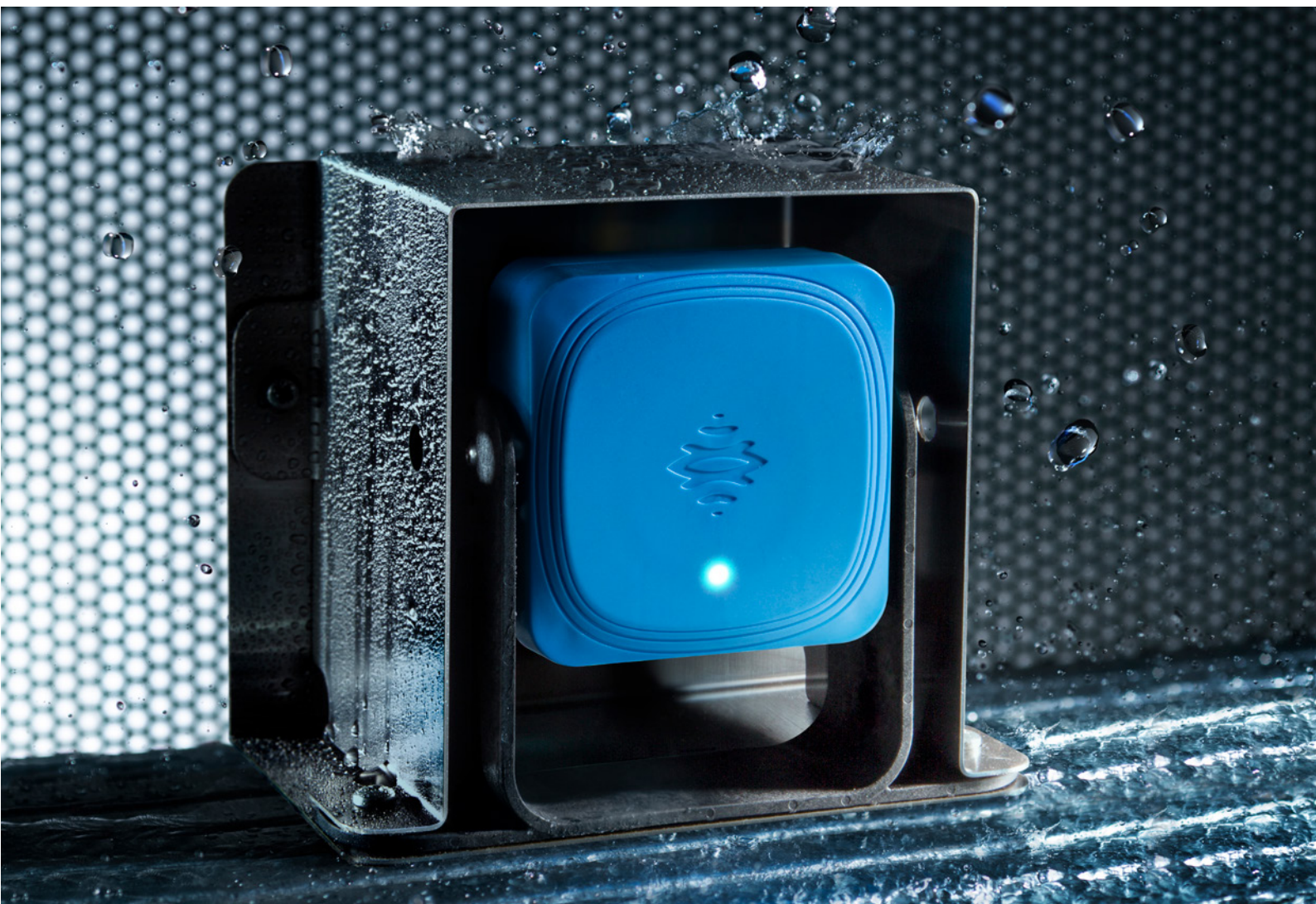


LBK-S01

METAL PROTECTOR

Technical specification

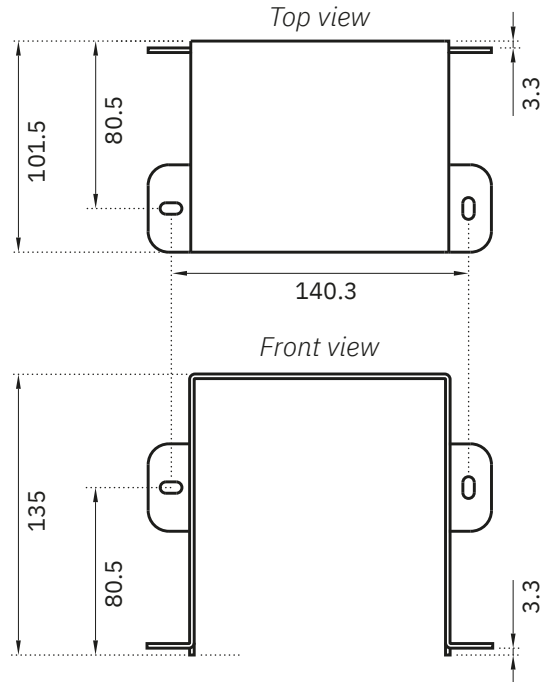


Ordering information

90202ZAA	Stainless steel protector kit for LBK-S01
----------	---

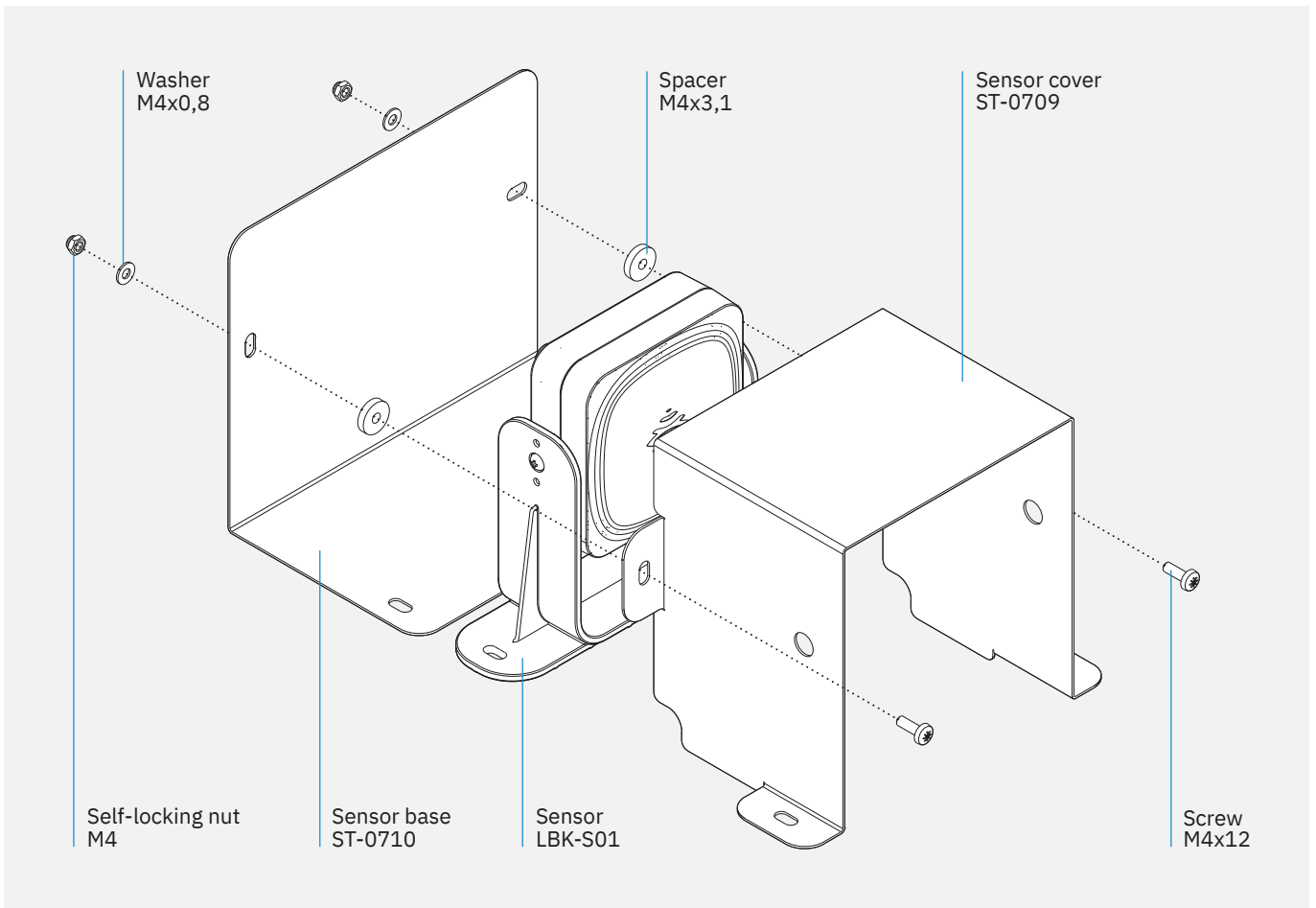


AISI 304 Stainless steel



LBK-S01
METAL PROTECTOR

The metal protector ensures that the LBK-S01 performs at its best even in the most challenging environmental conditions, increasing its immunity to spurious detections while reducing the possibility of damage caused by accidental impact.



LBK-S01 Metal protector - Technical specification v 1.0